

**Beverage Dispensing System
Hot Beverage Dispenser for soluble
powder, 2 containers, black with UK plug**

ITEM # _____

MODEL # _____

NAME # _____

SIS # _____

AIA # _____



560052 (GH2UK)

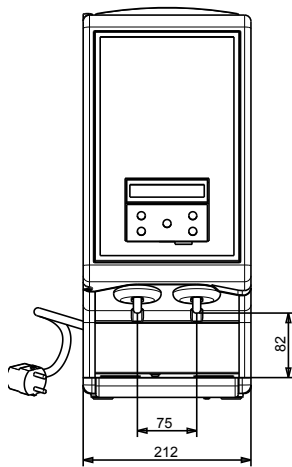
* NOT TRANSLATED *

Main Features

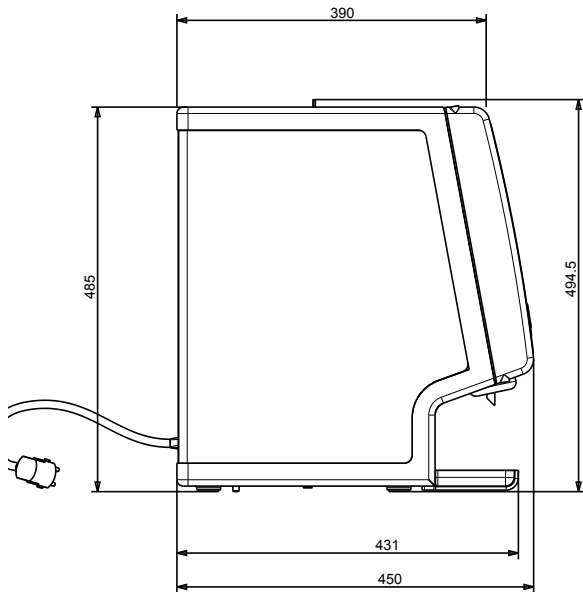
- Hot beverage dispenser for powder based drinks.
- Front panel LED backlighting.
- Completely removable powder containers.
- Sliding panel for easy filling of the water tank.
- While the machine works, display indicates:
 - dispensing phase
 - water level too low;
 - flavour being delivered;
 - cleaning required;
 - heating stage;
 - expired credit, if the machine is equipped with the chip card system;
 - filter replacement required.
- Mechanical and programmable control board.
- Multilanguage menu.
- Chip card on request.

APPROVAL: _____

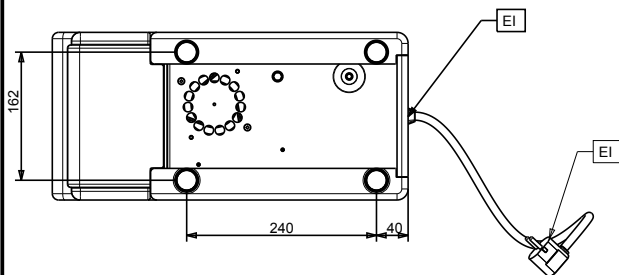
Front



Side



Top



Electric

Supply voltage:

560052 (GH2UK) 220-240 V/1 ph/50 Hz

Electrical power max.:

1.25 kW

Key Information:

External dimensions, Width:	212 mm
External dimensions, Depth:	450 mm
External dimensions, Height:	495 mm
Net weight:	15 kg
Shipping weight:	18 kg
Shipping height:	630 mm
Shipping width:	500 mm
Shipping depth:	600 mm
Shipping volume:	0.19 m ³